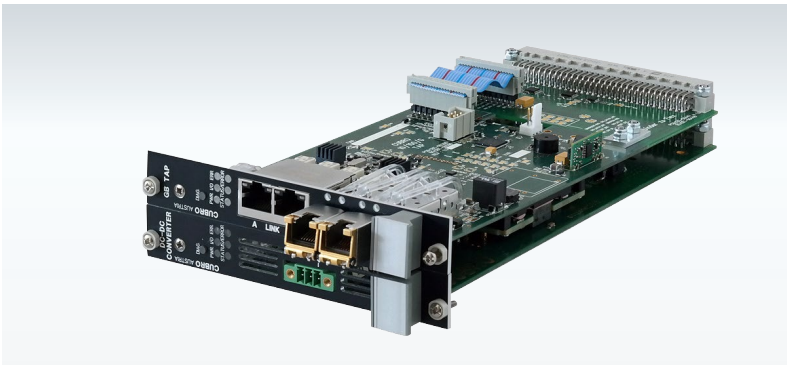


# Cubro Flex TAP T-1000

## PRODUCT REVIEW



The Cubro Flex TAP T-1000 allows the uninterrupted pass through of full duplex data over standard Category 5/6 copper network cable. The TAP duplicates the network signals, including any existing physical errors, to the transmit only monitoring ports. The TAP features auto negotiating between 10 Mbps, 100 Mbps and 1000 Mbps.

This advanced Cubro Flex TAP T-1000 is a fully new development based on the latest PHY chips. There are some special add-ons available like PoEtransparent (PoE = Power over Ethernet).

### Functions / Benefits:

- The standard function supports fast link recovery, to ensure the fastest possible time in order to re-establish a link after a power down. This time is also related to the link partners and fully predictable.
- The unit allows to look at the physical details and change some parameters for a faster recovery.
- The TAP has simplified link diagnostic function which is displaced at the front.
- The TAP is also available as Cubro 10/100/1000 Copper TAP (R3 or standalone) to be mounted in a special holder for three units per 1U. The TAP has redundant power which allows it to automatically switch to the backup power source when the primary power source fails.

## Network TAP At a glance

### Definition

A network TAP (test access point) is an external monitoring device that mirrors the traffic that passes between two network nodes. A TAP is a hardware device inserted at a specific point in the network to monitor data.

### Advantages of Cubro Flex TAP T-1000

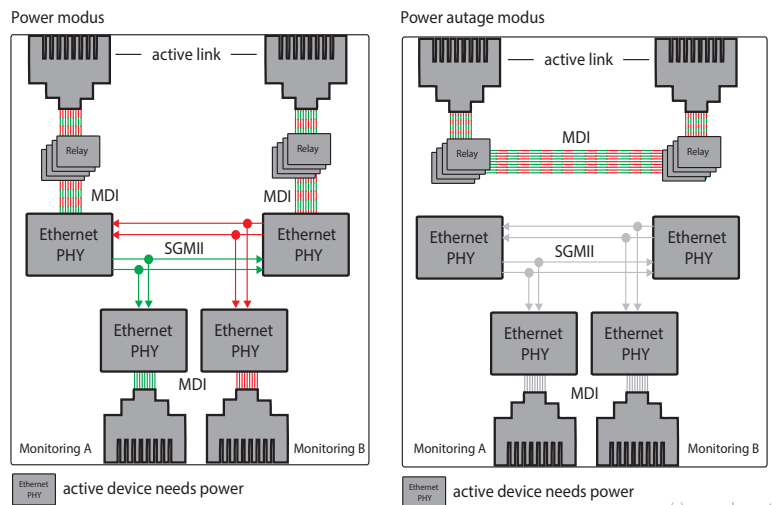
- Provides complete traffic visibility and access to any network connection
- Transparent access
- Transfers all network traffic, including errors, to the monitoring tools
- Extra uptime protection makes the TAP more reliable
- PoE Transparent
- High density (20 Units per 3U)
- Industrial design DIN 41612 (EN 60603-2)

# PRODUCT CAPABILITIES / FEATURES

Tapping 10/100/1000 Ethernet links (RJ 45)	One link to two outputs
Fault Propagation	If the link on the input port is going down the output ports will follow with a short delay.
LED Indicators	Status, link, speed
Power	48V DC Power card (Redundancy possibility)
Propagation Delay (In to Out)	< 1 ns
MTBF	778768 hours
Operating Temperature	0 to 55°C
Operating Humidity	80% maximum relative humidity
Physical Dimensions (H x W x D)	2,3 x 13,3 x 20 cm (0,9 x 5,2 x 7,8 in)
Rugged Aluminum Housing	19 inch rack, 3U with backplane.

## ADDITIONAL INFORMATION

A Cubro Flex TAP T-1000 is not a passive device, the picture shows the function. In power mode the relays are open, and the link is connected to a Phy. chip. In the case of power down the relays are closing and the two-link partners are connected to each other. This is the reason for a little downtime.



## ORDERING INFORMATION

Product Type & Number	Description
CBR.FLEX-T1000	Flex system 1000 Base-T TAP, 1 Link
CBR.FLEX-PS-48	Power supply Card 48V DC for Flex TAP
CBR.PS-48-FLEX	External 230V AC to 48V DC power supply for Flex TAP system
CBR.FLEX-RM3A-V	Flex system Active Rackmount Kit for 19 FlexTAP, 19", 3U height, fan and power 48V DC supply module included

For more information please check our website [www.cubro.com](http://www.cubro.com)